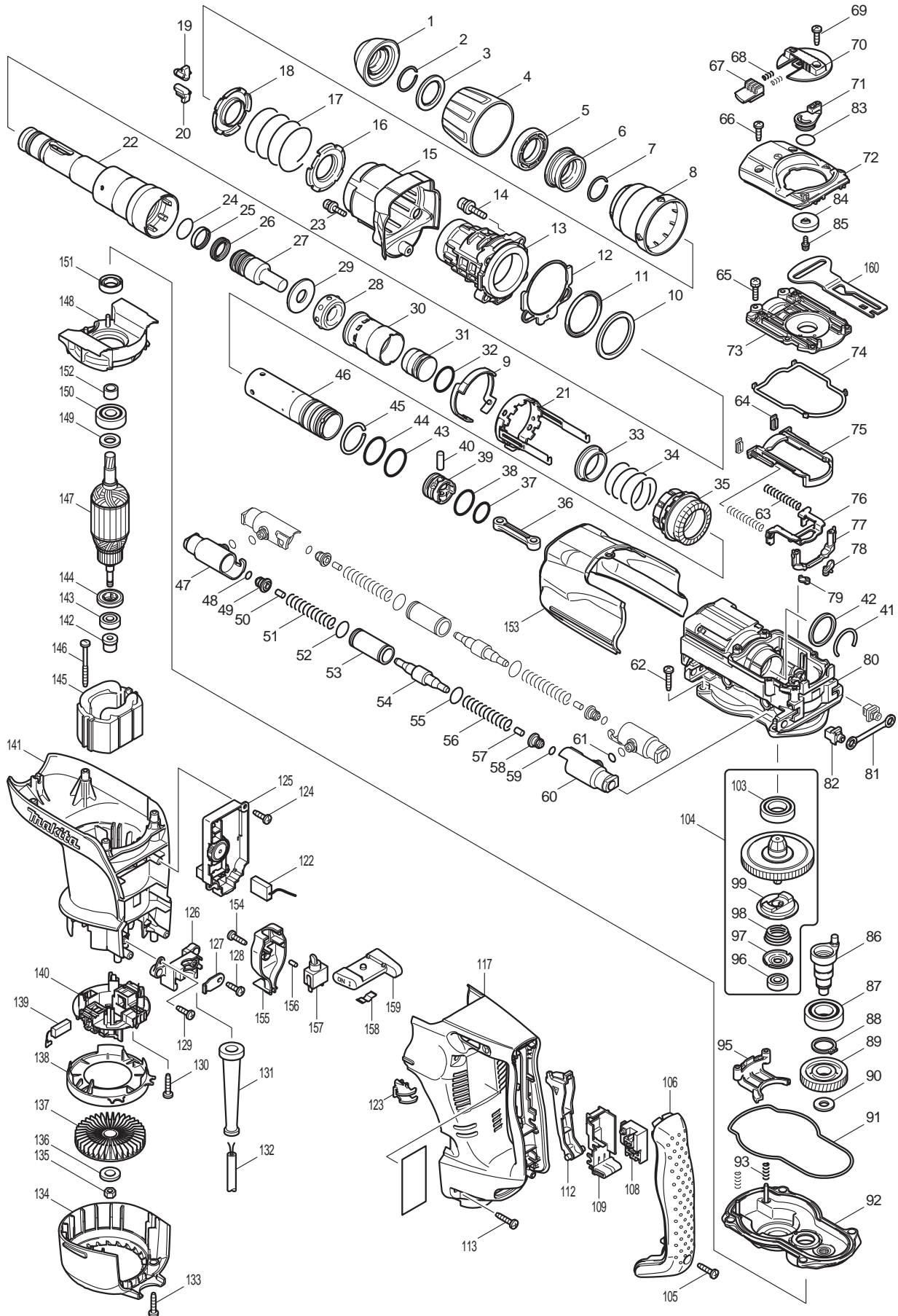




08 - 2010
HR4010C
SDS-MAX 1-9/16" ROTARY HAMMER



Item No	Type	Ref	Part No	Description	Qty	Unit
1	1		286272-3	* TOOL HOLDER CAP	1	PC.
	2		286285-4	* TOOL HOLDER CAP	1	PC.
2			231984-3	RING SPRING 25	1	PC.
3			267272-2	FLAT WASHER 28	1	PC.
4			419015-0	CHUCK COVER	1	PC.
5			419002-9	SPACER	1	PC.
6			324548-1	CHUCK RING	1	PC.
7			231984-3	RING SPRING 25	1	PC.
8			419016-8	RELEASE COVER	1	PC.
9			419760-7	LOCK SLEEVE GUIDE	1	PC.
10			267336-2	FLAT WASHER 45	1	PC.
11			262116-1	URETHAN RING 45	1	PC.
12			421911-0	SEAL SHEET	1	PC.
13			154621-1	BARREL COMPLETE	1	PC.
14			922353-6	HEX.SOCKET HEAD BOLT M6X30	4	PC.
15			154624-5	BARREL COVER COMPLETE	1	PC.
16			345579-7	SPRING GUIDE	1	PC.
17			233431-0	COMPRESSION SPRING 48	1	PC.
18			345579-7	SPRING GUIDE	1	PC.
19			310161-1	TOOL RETAINER	1	PC.
20			310161-1	TOOL RETAINER	1	PC.
21	1		165446-8	LOCK SLEEVE - N/L/A	1	PC.
	2		165633-9	LOCK SLEEVE	1	PC.
22			324542-3	TOOL HOLDER	1	PC.
23	1		922128-3	* HEX. SOCKET HEAD BOLT M4X16	1	PC.
	2		266437-3	* HEX. SOCKET HEAD BOLT M4X16	1	PC.
24			213317-4	O RING 20	1	PC.
25			213392-0	FLUORIDE RING 25	1	PC.
26			213281-9	X-RING 18	1	PC.
27			324569-3	IMPACT BOLT	1	PC.
28			421901-3	RUBBER RING 17	1	PC.
29			324573-2	RING 17	1	PC.
30			419003-7	SLIDE SLEEVE	1	PC.
31			324571-6	STRIKER	1	PC.
32			213962-5	O RING 22	1	PC.
33			331709-6	RING 33	1	PC.
34			233448-3	COMPRESSION SPRING 37	1	PC.
35			227509-9	STRAIGHT BEVEL GEAR 25	1	PC.
36			419005-3	CONNECTING ROD	1	PC.
37			213379-2	O RING 21	1	PC.
38			213962-5	O RING 22	1	PC.
39			419004-5	PISTON	1	PC.
40			256197-5	PIN 7	1	PC.
41			233937-8	RING SPRING 31	1	PC.
42			257268-1	RING 33	1	PC.
43			213406-5	O RING 30	1	PC.
44			213406-5	O RING 30	1	PC.
45			233935-2	RING SPRING 32	1	PC.
46			324570-8	CYLINDER 28.5	1	PC.
47			317923-8	PIPE HOLDER	2	PC.
48			213030-4	O RING 8	2	PC.
49			419011-8	SPRING GUIDE	2	PC.
50			263005-3	RUBBER PIN 6	2	PC.

Item No	Type	Ref	Part No	Description	Qty	Unit
51			233435-2	COMPRESSION SPRING 11	2	PC.
52			213275-4	O RING 18	2	PC.
53			324572-4	PIPE 16	2	PC.
54			324574-0	* COUNTER WEIGHT	2	PC.
55			213275-4	O RING 18	2	PC.
56			233435-2	COMPRESSION SPRING 11	2	PC.
57			263005-3	RUBBER PIN 6	2	PC.
58			419011-8	SPRING GUIDE	2	PC.
59			213030-4	O RING 8	2	PC.
60			317923-8	PIPE HOLDER	2	PC.
61			213030-4	O RING 8	4	PC.
62			266041-8	TAPPING SCREW 5X25	4	PC.
63			233432-8	COMPRESSION SPRING 7	2	PC.
64			421910-2	SEAL PLATE	2	PC.
65			911133-5	PAN HEAD SCREW M4X18	6	PC.
66			266192-7	TAPPING SCREW 4X14	2	PC.
67			419009-5	LOCK BUTTON	1	PC.
68			233436-0	COMPRESSION SPRING 3	2	PC.
69			266192-7	TAPPING SCREW 4X14	1	PC.
70			419020-7	CHANGE LEVER	1	PC.
71			419007-9	CRANK LEVER	1	PC.
72			317925-4	CRANK CAP COVER	1	PC.
73			419030-4	CRANK CAP	1	PC.
74			421908-9	SEAL RING	1	PC.
75			419019-2	LINK PLATE GUIDE	1	PC.
76			345582-8	LINK PLATE	1	PC.
77			419012-6	AIR PIPE	1	PC.
78			421909-7	AIR PIPE SEAL	1	PC.
79			421909-7	AIR PIPE SEAL	1	PC.
80			154622-9	CRANKHOUSING COMPLETE	1	PC.
		INC.	324568-5	RING 40	1	PC.
		INC.	214656-5	PLANE BEARING 51	1	PC.
81			423345-3	CUSHION PLATE	1	PC.
82			419008-7	FIX GUIDE	2	PC.
83			213262-3	O RING 18	1	PC.
84			419006-1	LINK LEVER	1	PC.
85			911511-9	PAN HEAD SCREW M4X10	1	PC.
86			324550-4	CRANK SHAFT	1	PC.
87			211332-2	BALL BEARING 6004LLU	1	PC.
88			961060-6	RETAINING RING S-20	1	PC.
89			226605-0	HELICAL GEAR 38	1	PC.
90			253180-3	FLAT WASHER 10	1	PC.
91			421907-1	SEAL RING	1	PC.
92			154623-7	GEAR HOUSING COMPLETE	1	PC.
		INC.	212075-9	NEEDLE ROLLER BEARING 1010	1	PC.
		INC.	268136-3	PIN 4	2	PC.
93			233433-6	COMPRESSION SPRING 5	2	PC.
95			419018-4	CHANGE PLATE	1	PC.
96			210005-4	BALL BEARING 608DDW	1	PC.
97			345581-0	CUP WASHER 8	1	PC.
98			233936-0	CONICAL COMPRESSIONSPRING19-27	1	PC.
99			324549-9	DRIVING FLANGE	1	PC.
103			211323-3	BALL BEARING 6904LLU	1	PC.

Item No	Type	Ref	Part No	Description	Qty	Unit
104	1		135086-6	TORQUE LIMITER ASS'Y (USE WITH 267456-2)	1	PC.
		INC.		Item No. 96-103		
	2		135508-6	TORQUE LIMITER ASS'Y	1	PC.
		INC.	267456-2	THIN WASHER 38	1	PC.
		INC.		Item No. 96-103		
105			265995-6	TAPPING SCREW 4X18	1	PC.
106			419036-2	HANDLE COVER	1	PC.
108	1		650567-4	SWITCH TG73B-1	1	PC.
	2		650676-9	SWITCH TG73B-1	1	PC.
109			154626-1	SWITCH HOLDER COMPLETE	1	PC.
		INC.	423344-5	SPONGE SEAT	1	PC.
112			419028-1	SWITCH LEVER	1	PC.
113			266041-8	TAPPING SCREW 5X25	4	PC.
117			419040-1	HANDLE	1	PC.
122			638407-6	LEAD UNIT	1	PC.
123			419010-0	LENS	1	PC.
124			266192-7	TAPPING SCREW 4X14	1	PC.
125			631656-4	CONTROLLER	1	PC.
126			419024-9	CORD CLAMP BASE	1	PC.
127			687169-3	STRAIN RELIEF	1	PC.
128			266192-7	TAPPING SCREW 4X14	1	PC.
129			266192-7	TAPPING SCREW 4X14	1	PC.
130			265995-6	TAPPING SCREW 4X18	4	PC.
131			682560-0	CORD GUARD 10	1	PC.
132			664276-9	CORD W/PLUG 2P-16-5.0M, SJ	1	PC.
133			265995-6	TAPPING SCREW 4X18	2	PC.
134			419032-0	REAR COVER	1	PC.
135			931303-0	HEX. NUT M6	1	PC.
136			253047-5	FLAT WASHER 6	1	PC.
137			241876-8	FAN 76	1	PC.
138			419022-3	FAN GUIDE	1	PC.
139	1		194160-9	CARBON BRUSH CB-350 2PC/SET (W/O ORIGIN) -N/L/A	1	SET
	2		195004-6	CARBON BRUSH SET CB-350 2PC/SET (W/ ORIGIN)	1	SET
140	1		638393-1	BRUSH HOLDER UNIT	1	PC.
		INC.	266007-8	TAPPING SCREW BIND PT 3X10	4	PC.
		INC.	643816-6	BRUSH HOLDER	2	PC.
	2		638715-5	BRUSH HOLDER UNIT	1	PC.
141			154619-8	MOTOR HOUSING COMPLETE	1	PC.
		INC.	345650-7	WASHER PLATE (Added)	1	PC.
142			324390-0	SHOULDER SLEEVE 6	1	PC.
143			210005-4	BALL BEARING 608DDW	1	PC.
144			681650-6	INSULATION WASHER	1	PC.
145	1		625736-6	FIELD 100-115V - N/L/A	1	PC.
	2		625756-0	FIELD 115V	1	PC.
146			266095-5	TAPPING SCREW 5X55	2	PC.
147			513631-1	ARMATURE ASS'Y 115V	1	PC.
		INC.		Item No. 143,144		
148			419021-5	BAFFLE PLATE	1	PC.
149			253084-9	FLAT WASHER 12	1	PC.
150			211137-0	BALL BEARING 6201LLU	1	PC.
151			213231-4	OIL SEAL 15	1	PC.
152			331596-3	SLEEVE 12	1	PC.
153			419033-8	CRANK HOUSING COVER	1	PC.

Item No	Type	Ref	Part No	Description	Qty	Unit
154			266192-7	TAPPING SCREW 4X14	1	PC.
155			419026-5	SWITCH BOX	1	PC.
156			263027-3	RUBBER PIN 4	1	PC.
157			651418-4	SWITCH ST115A-40	1	PC.
158			232209-8	LEAF SPRING	1	PC.
159			154635-0	SLIDE LEVER COMPLETE	1	PC.
		INC.	268138-9	FLAT FILLISTER HD.PIN 4	1	PC.
		INC.	257754-2	SLEEVE 4	1	PC.
160			419027-3	CONTROL PLATE	1	PC.
161			421939-8	* SPONGE SHEET (Added)	1	PC.

ACCESSORIES

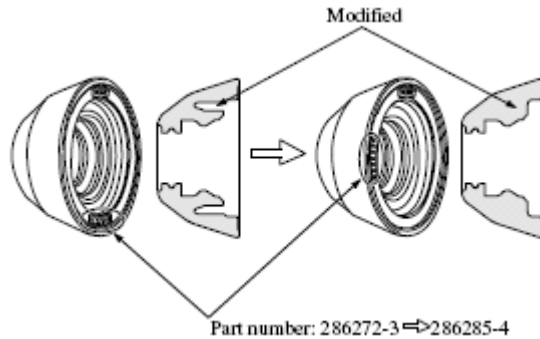
- See catalogue or visit www.makita.ca for optional accessory -

A01			134890-0	SIDE HANDLE 68 ASS'Y, D-STYLE	1	PC.
		INC.	265439-6	HEX. BOLT M8X150	1	PC.
		INC.	417002-3	SIDE HANDLE CAM	2	PC.
		INC.	252640-2	WING NUT M8	1	PC.
		INC.	151769-0	SIDE HANDLE 68 COMPLETE	1	PC.
		INC.	417003-1	SIDE HANDLE	1	PC.
A02			135209-6	GRIP 36 ASS'Y (OLD# 134803-1 - N/L/A)	1	PC.
		INC.	265701-9	SCREW M6X14	1	PC.
		INC.	266163-4	CUP SQUARE NECK BOLT M8X80	1	PC.
		INC.	158131-0	GRIP 36 COMPLETE	1	PC.
		INC.	931302-2	HEX. NUT M6	1	PC.
		INC.	416299-1	SIDE GRIP BASE 68	1	PC.
		INC.	344492-6	PLATE	1	PC.
		INC.	344491-8	GRIP SPRING 68	1	PC.
		INC.	321248-4	DEPTH GAUGE	1	PC.
A03			154677-4	PLASTIC CARRYING CASE COMPLETE	1	PC.
		INC.	163467-4	LATCH	2	PC.
A04	1		181573-3	GREASE VESSEL 93G	1	PC.
	2		194683-7	GREASE VESSEL SET	1	PC.
A05			443122-7	CLOTH	1	PC.
		INC.	A-90582	MAKITA GREASE R NO.00 30CC (1OZ)	2	PC.
				CARBON BRUSH CB-350 (Item No.139) (Use 195004-6 for replacement)	1	PC.
A06	2		195195-3	HAMMER SERVICE KIT (OLD# 188049-1 - N/L/A)	1	PC.
		INC.	213962-5	O RING 22 (Item No.32)	2	PC.
		INC.	213281-9	X RING 18 (Item No.26)	1	PC.
		INC.	213392-0	FLUORIDE RING 25 (Item No.25)	1	PC.
		INC.	213317-4	O RING 20 (Item No. 24)	1	PC.
		INC.	286285-4	TOOL HOLDER CAP (Item No.1, Type2)	1	PC.
		INC.	194160-9	CARBON BRUSH CB-350 (Use 195004-6 for replacement)	1	PC.
		INC.	A-90582	MAKITA GREASE R NO.00 30CC (1OZ)	2	PC.
A07			196074-8	SDS-MAX DUST EXTRACTION ATTACHMENT (See Parts breakdown 196074-8)	1	PC.

SERVICE CHANGES

1. Changes on Tool Holder

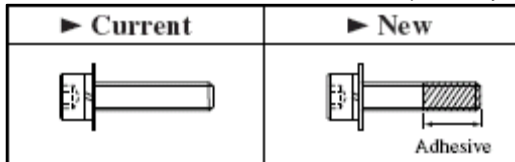
Item No.	Description	Type 1	Type 2
1	TOOL HOLDER CAP	286272-3	286285-4



2. Changes on H.S.H BOLT

Item No.	Description	Type 1	Type 2
23	H.S.H.BOLT	922128-3	266437-3

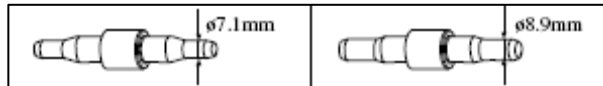
M4X16 Hex.Socket Head Bolt has been replaced by Threadlocker Type M4X16 Hex.Socket Head Bolt.



- Note: 1) Tighten the new M4x16 Hex. socket head bolt to 1.5 up to 2.5N.m. (15 up to 25kgf.cm).
 2) When reusing the M4x16 Hex. socket head bolt after removal from the machine, be sure to put the appropriate amount of adhesive as illustrated above.

3. Changes on Counter Weight

Item No.	Description	Type 1	Type 2
54	COUNTER WEIGHT	324806-5 (Part No. remains the same)	



4. Changes on Sponge Sheet

Item No.	Description	Type 1	Type 2
161	SPONGE SHEET (Added)	-----	421939-8

